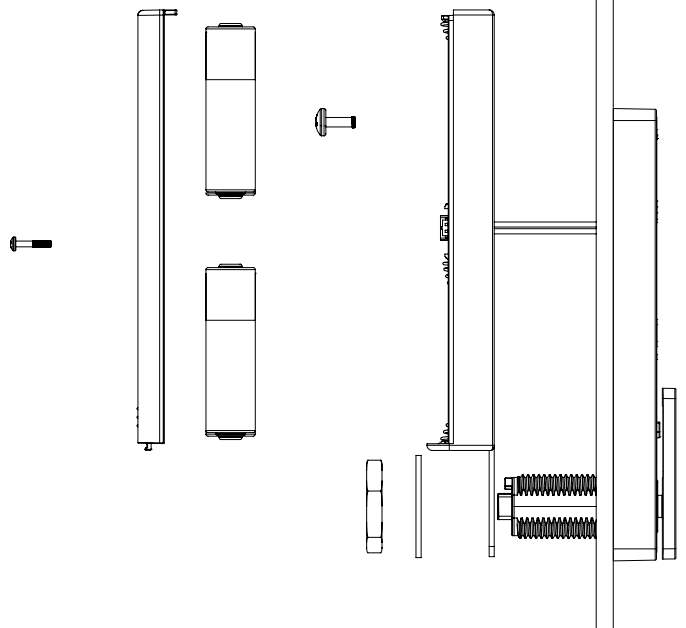
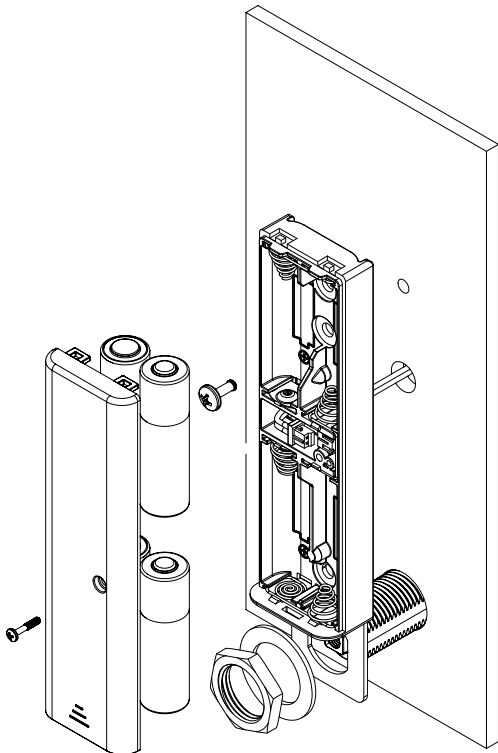
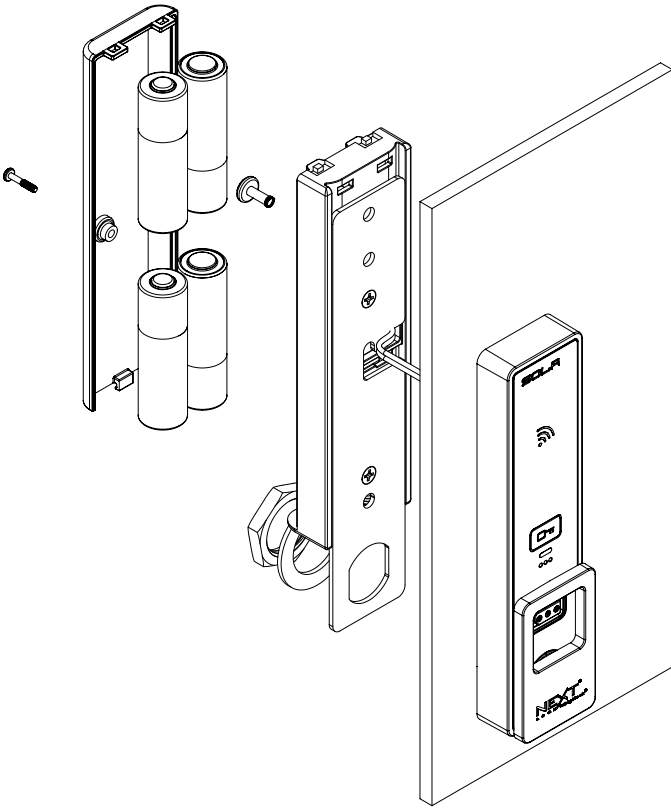


Surface Mount: For Door Thickness up to 25mm



3 Hole Template

Templates may not print to scale. Check all measurements before proceeding.

⚠ Before printing, turn off auto scaling in printer setup and print at 100%. ⚠

